

Why use a Super-Treat System?

The Super-Treat system is the best value for money system on the market. If you compare the internal workings of a Super-Treat system to its competitors you will see why.

- The Super-Treat system has a standard 2 year warranty on all parts including; irrigation pump, air pump, electrics etc
- Single tank system is either Secondary or Advanced Secondary treatment
- Two tank systems are Secondary treatment
- Single pour tank construction (tank and internal walls are poured together giving a strong leak proof tank)
- Davey D25A irrigation pump or equivalent
- Nitto 80L air pump or equivalent
- Full air distribution using air diffuser discs incorporating 25mm delivery lines
- Large media surface area
- If required full size tank risers can be delivered and fitted to the tank during delivery
- The Super-Treat system has larger chamber capacities giving longer intervals between septic tank pump outs to give a quality treatment to the water.

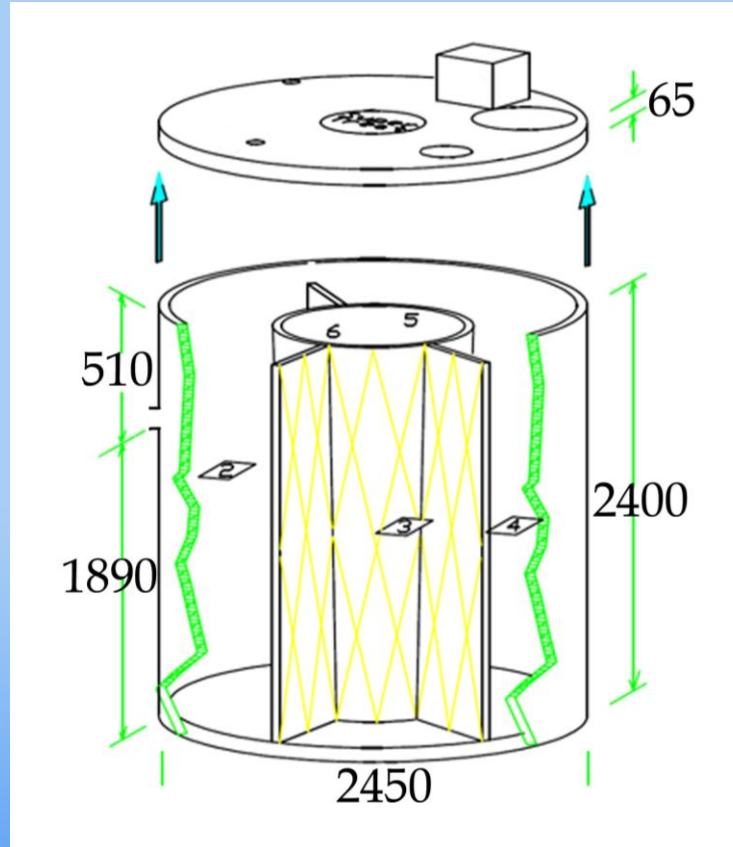
SUPER·TREAT

Queensland

Wastewater Treatment Systems

Visit:

www.supertreatqueensland.com.au



Manufactured by



www.toowoombatanks.com.au

SUPER·TREAT

Queensland

Wastewater Treatment Systems

Supplies - Installs - Services

Economical Operation

Reliable Performance

Proven Design Principles

BUILT IN LONG LIFE RELIABILITY



www.supertreatqueensland.com.au

Why use a Super-Treat System?

Super-Treat system is the best value for money on the market.

Uses high quality pumps and air compressors.

Air diffusers provide balanced air throughout the chambers. High volume of media improves processing. **(You receive two years warranty on all parts including pumps and blowers.)**

Large chambers in both 2 tank and 1 tank systems exceed performance standards. No plastic components, full mould provides leak free joints. Your first years service is included in your purchase price. Local agents provide ongoing service with emergency response if and when required.

Whether you choose a two tank or a one tank system you are assured of low cost operation and a long life from your wastewater treatment plant. Once installed your Super-Treat system will supply healthy wastewater processing for your family and visitors.

How does it work?

Your Super-Treat System will process ALL the household wastewater from ALL sources to the health standard level demanded allowing reuse of that water for your irrigation needs.

Outgoing recycled water is clear and clean with no odour and will not harm anything in your garden. The system provides anaerobic



When your servicemen calls and you have any questions relating to your Super-Treat operation ask him, you will find him both knowledgeable and obliging.

You will be well satisfied with your SuperTreat system in your home.

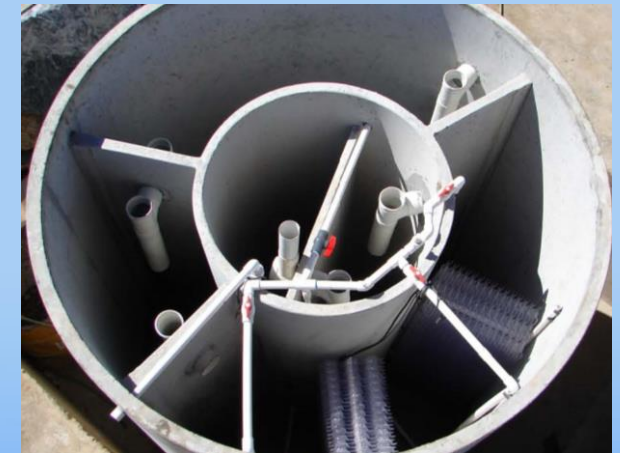
treatment in the primary chamber then to aeration chambers and on to clarification and disinfection prior to disposal. In the instance of some operating defect, a warning system alerts you to contact your serviceman.

The system is designed to process a total of 2000 litres per day to comfortably service all in the home plus visitors or special event occasions.

The Important Issues

Your wastewater treatment plant may be in use for many years, the sewer may never come, particularly in rural areas and large acreage building sites. The system should last for many years and with ever increasing electricity costs should be economical to operate.

It should be reliable with processing standards, and that will be so, provided you ensure your quarterly preventative maintenance program is in place.



Local Agent